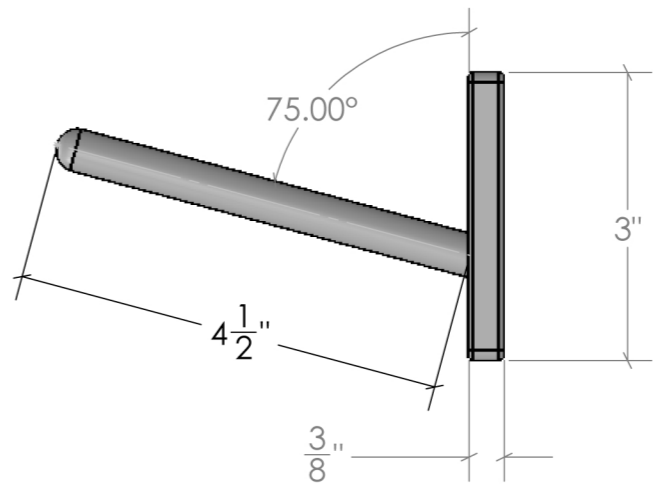
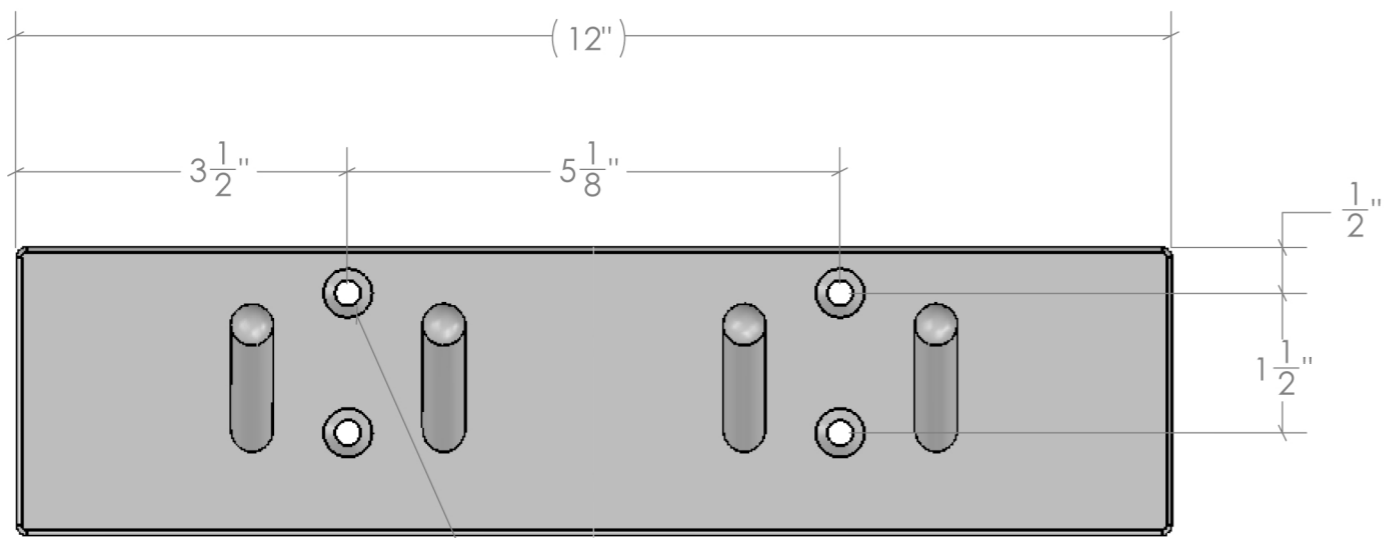
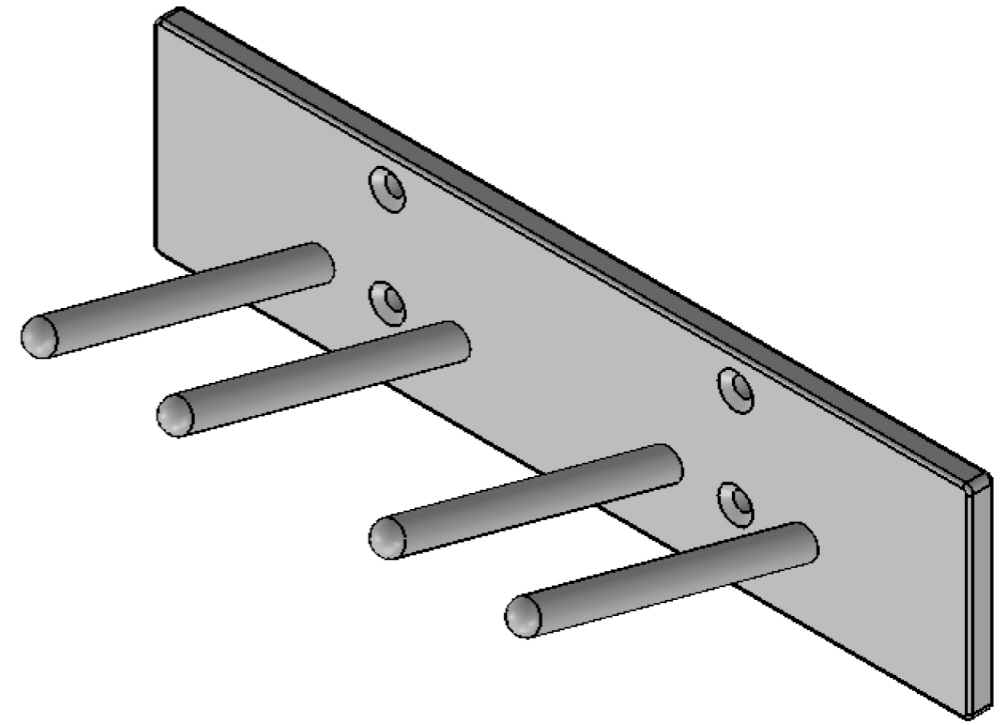
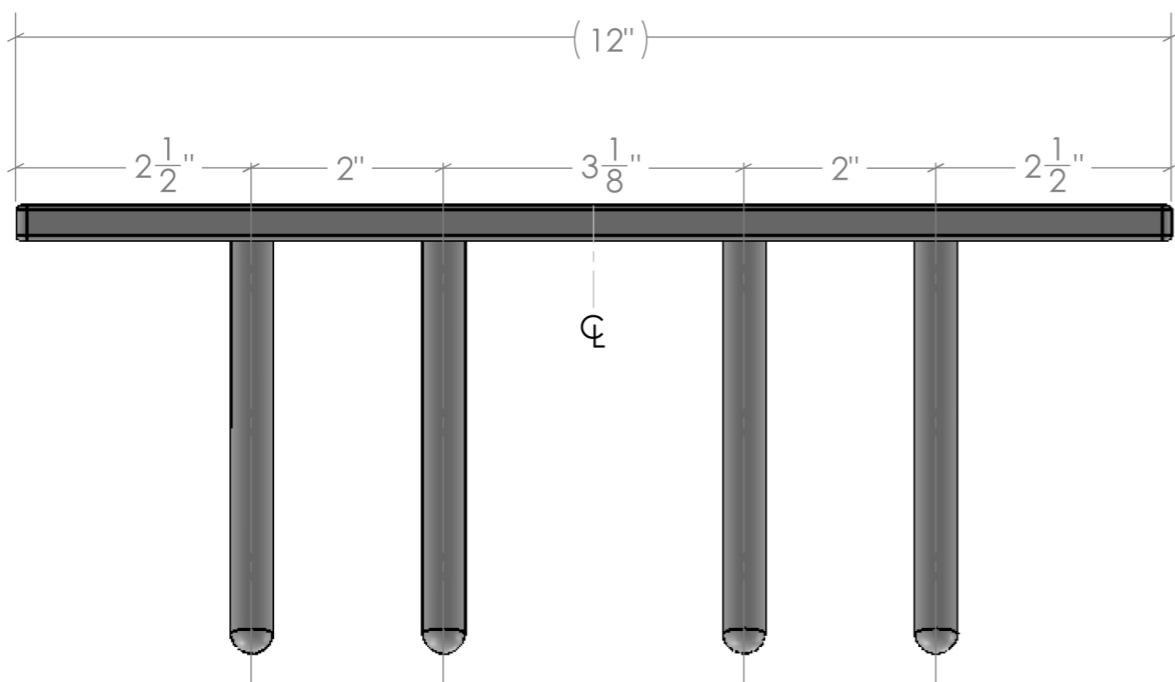


8 7 6 5 4 3 2 1



4X $\phi \frac{1}{2}$ " THRU ALL
 $\checkmark \phi 1/2 \times 100^\circ$

PROPRIETARY AND CONFIDENTIAL

All information contained on the property of Phillips Safety Product Inc. This document shall not be altered used or disclose to a third party without the prior written consent of Phillips Safety Product Inc.

		UNLESS OTHERWISE SPECIFIED:		NAME	DATE	TITLE: TECHNICAL DRAWING OF P-2 APRON RACK	
				DRAWN			
				CHECKED			
				ENG APPR.			
				MFG APPR.		SIZE DWG. NO. REV	
				Q.A.		B	
				COMMENTS:		SCALE: 1:4 WEIGHT: SHEET 1 OF 1	
NEXT ASSY	USED ON	FINISH	DO NOT SCALE DRAWING	ADDITIONAL EQUIPMENT: 4" SCREWS			
APPLICATION							

8 7 6 5 4 3 2 1