

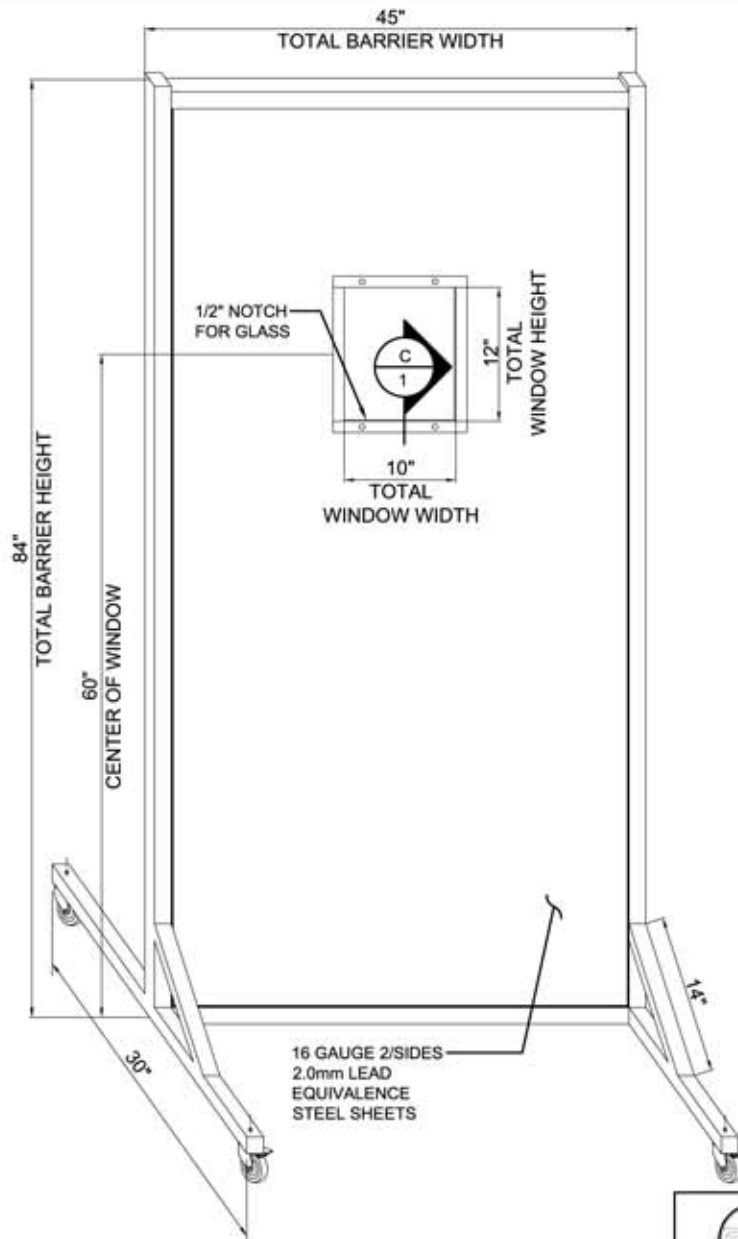
NOTES:

MATERIAL:
STEEL WITH 2.0mm LEAD EQUIVALENCE

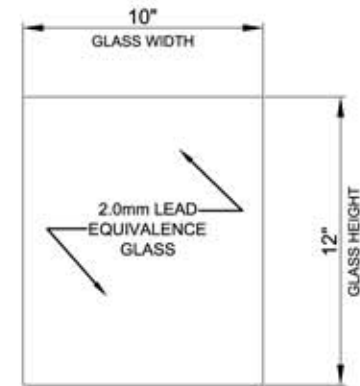
PAD PRINT COLOR:
2.0mm LEAD EQUIVALENCE GLASS

FRAME COLOR:
TAN

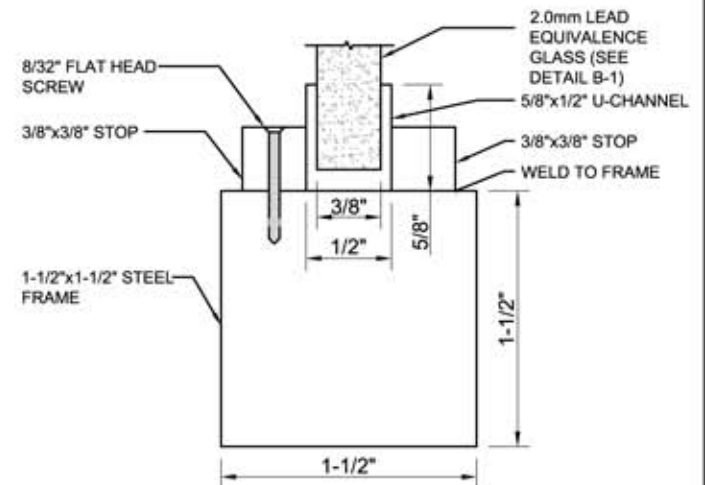
NOT TO SCALE




(A) BARRIER ELEVATION



(B) GLASS ELEVATION



(C) SECTION AT FRAME

 <p>123 LINCOLN BOULEVARD MIDDLESEX, NJ 08846 732-356-1493</p>	DWG No.	Rev.
	LB-4584	
<p>ANY AND ALL INFORMATION CONTAINED IN/ON THIS DRAWING IS THE PROPERTY OF PHILLIPS SAFETY PRODUCTS INC. AND SHALL NOT BE USED OR DISCLOSED TO A THIRD PARTY WITHOUT PRIOR WRITTEN CONSENT OF PHILLIPS SAFETY PRODUCTS INC.</p>	P/N:	
	LB-4584	
	DESC.	
	Opaque Mobile Leaded Barrier 45 in. x 84 in	