

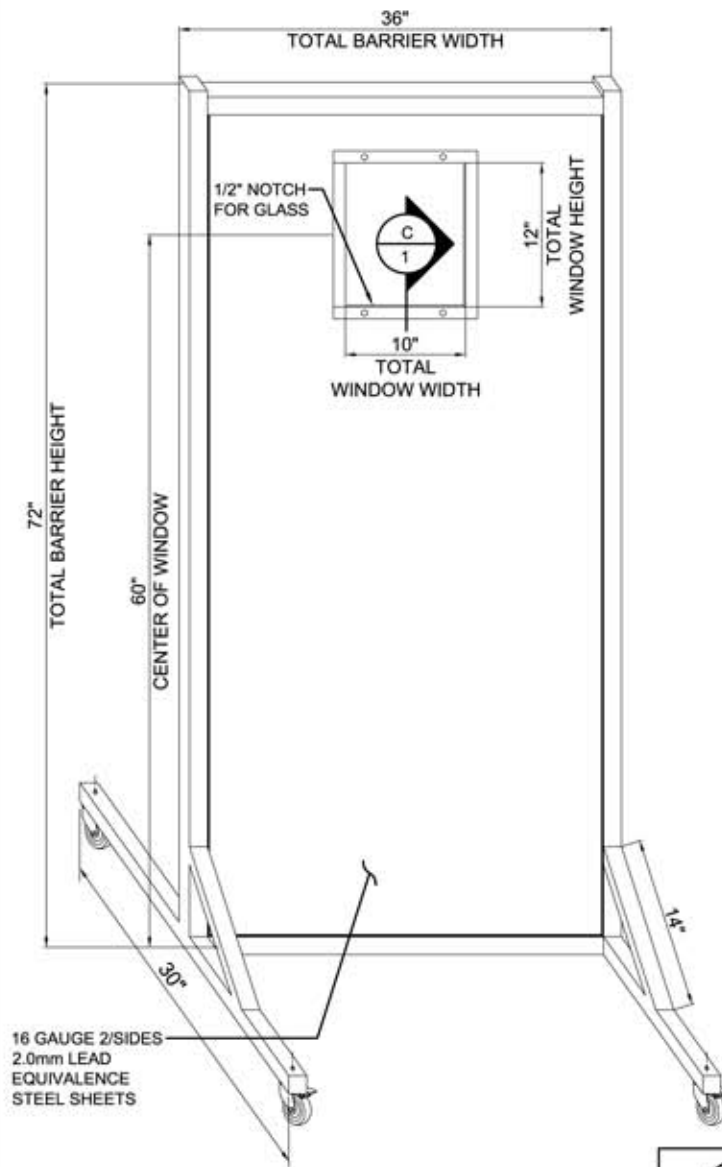
NOTES:

MATERIAL:  
STEEL WITH 2.0mm LEAD  
EQUIVALENCE

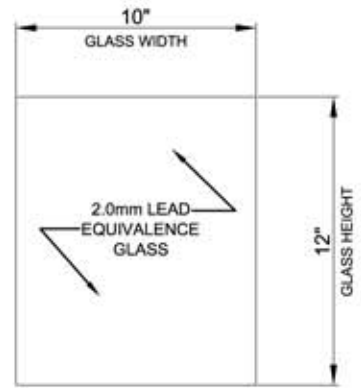
PAD PRINT COLOR:  
2.0mm LEAD  
EQUIVALENCE GLASS

FRAME COLOR:  
TAN

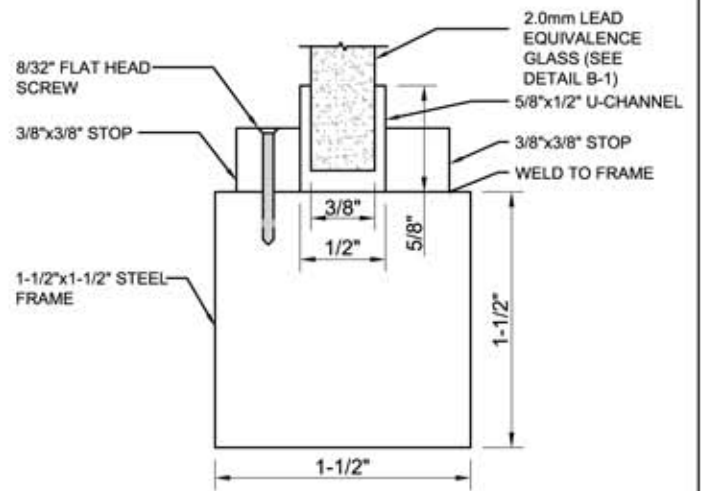
NOT TO SCALE




**(A)** BARRIER ELEVATION  
1



**(B)** GLASS ELEVATION  
1



**(C)** SECTION AT FRAME  
1

|   |         |  |      |
|---|---------|--|------|
|  <p>123 LINCOLN BOULEVARD<br/>MIDDLESEX, NJ 08846<br/>732-356-1493</p> | DWG No. | LB-3672  | Rev. |
|   | P/N:    | LB-3672  |      |
|   | DESC.   | Opaque Mobile Leaded Barrier<br>36 in. x 72 in |      |

ANY AND ALL INFORMATION CONTAINED IN/ON THIS DRAWING IS THE PROPERTY OF PHILLIPS SAFETY PRODUCTS INC. AND SHALL NOT BE USED OR DISCLOSED TO A THIRD PARTY WITHOUT PRIOR WRITTEN CONSENT OF PHILLIPS SAFETY PRODUCTS INC.