

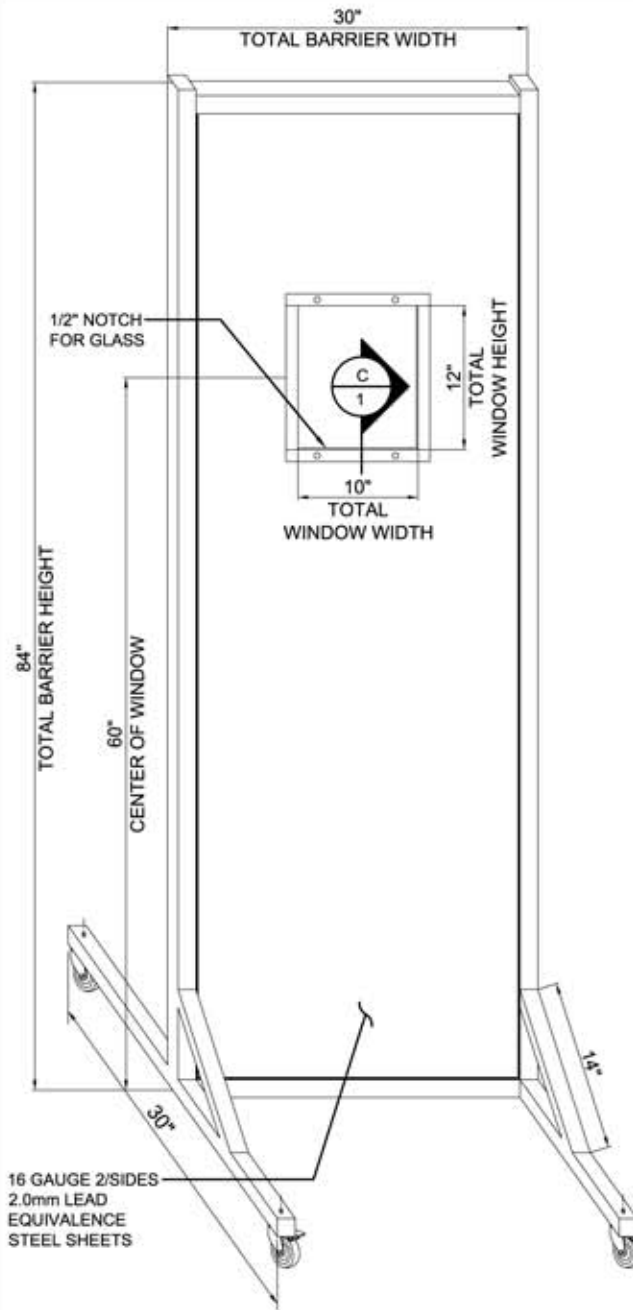
**NOTES:**

**MATERIAL:**  
STEEL WITH 2.0mm LEAD EQUIVALENCE

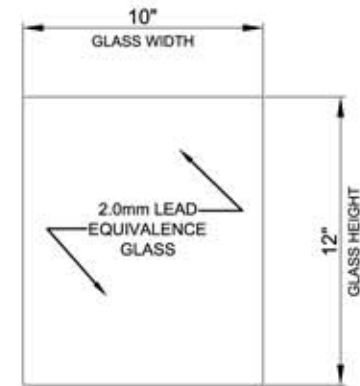
**PAD PRINT COLOR:**  
2.0mm LEAD EQUIVALENCE GLASS

**FRAME COLOR:**  
TAN

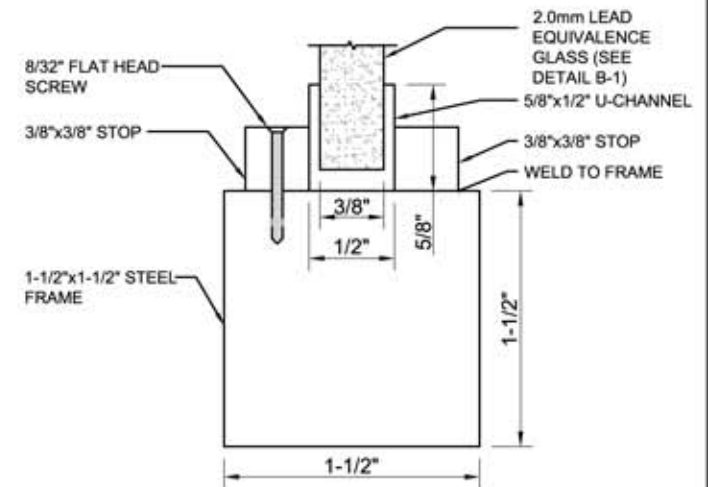
NOT TO SCALE




**(A) BARRIER ELEVATION**



**(B) GLASS ELEVATION**



**(C) SECTION AT FRAME**

 <p>123 LINCOLN BOULEVARD MIDDLESEX, NJ 08846 732-356-1493</p>	DWG No.	Rev.
	LB-3084	
	P/N:	LB-3084
<p>ANY AND ALL INFORMATION CONTAINED IN/ON THIS DRAWING IS THE PROPERTY OF PHILLIPS SAFETY PRODUCTS INC. AND SHALL NOT BE USED OR DISCLOSED TO A THIRD PARTY WITHOUT PRIOR WRITTEN CONSENT OF PHILLIPS SAFETY PRODUCTS INC.</p>		DESC.
<p>Opaque Mobile Leaded Barrier 30 in. x 84 in</p>		