

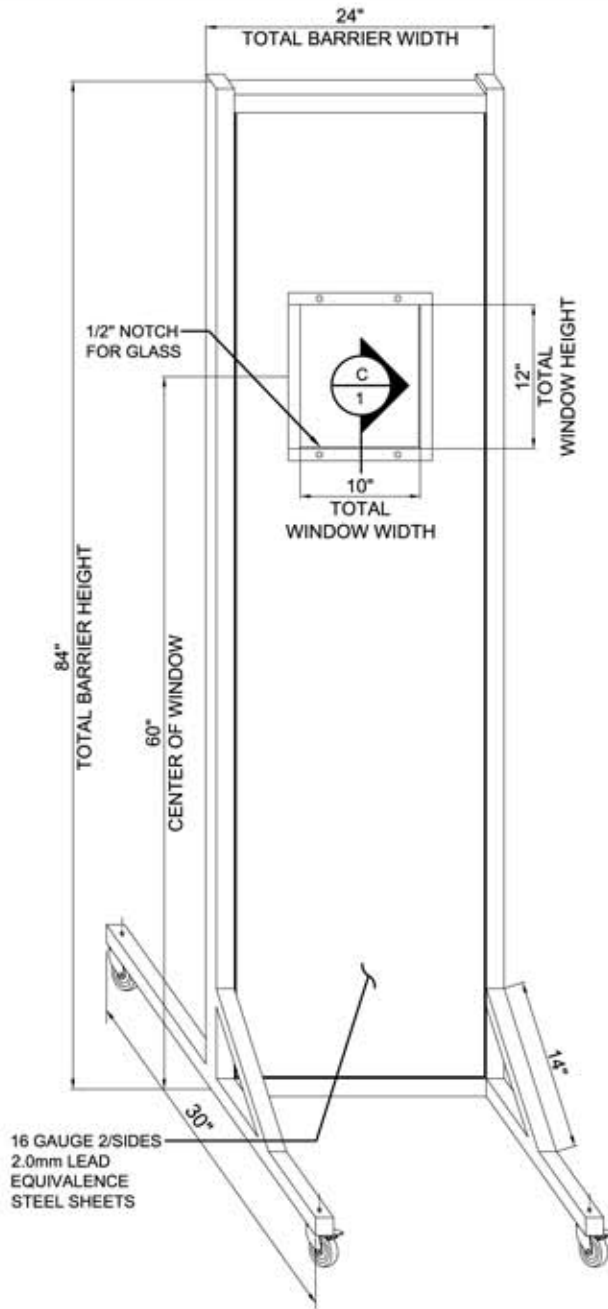
NOTES:

MATERIAL:
STEEL WITH 2.0mm LEAD
EQUIVALENCE

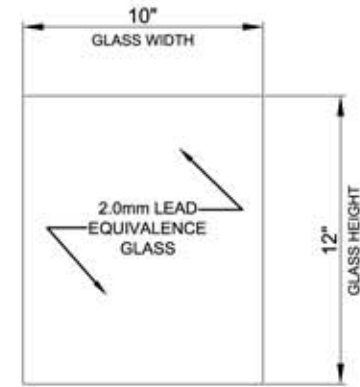
PAD PRINT COLOR:
2.0mm LEAD
EQUIVALENCE GLASS

FRAME COLOR:
TAN

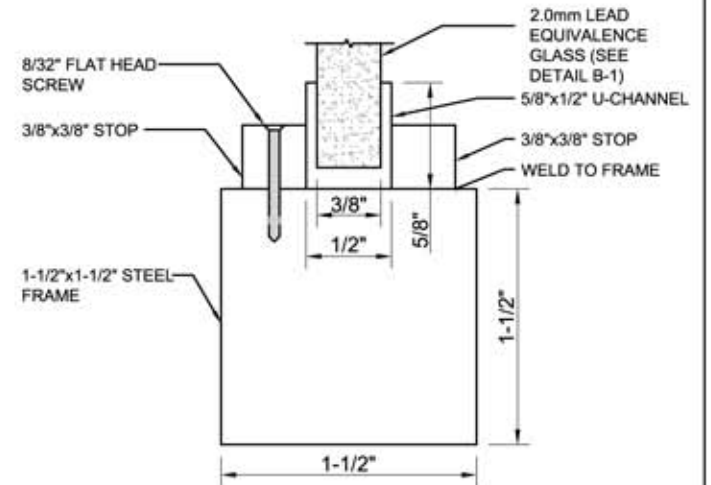
NOT TO SCALE



(A) BARRIER ELEVATION
1



(B) GLASS ELEVATION
1



(C) SECTION AT FRAME
1



123 LINCOLN BOULEVARD
MIDDLESEX, NJ 08846
732-356-1493

DWG No.

LB-2484

Rev.

P/N:

LB-2484

DESC.

Opaque Mobile Leaded Barrier
24 in. x 84 in

ANY AND ALL INFORMATION CONTAINED
IN/ON THIS DRAWING IS THE PROPERTY OF
PHILLIPS SAFETY PRODUCTS INC. AND SHALL
NOT BE USED OR DISCLOSED TO A THIRD
PARTY WITHOUT PRIOR WRITTEN CONSENT
OF PHILLIPS SAFETY PRODUCTS INC.