

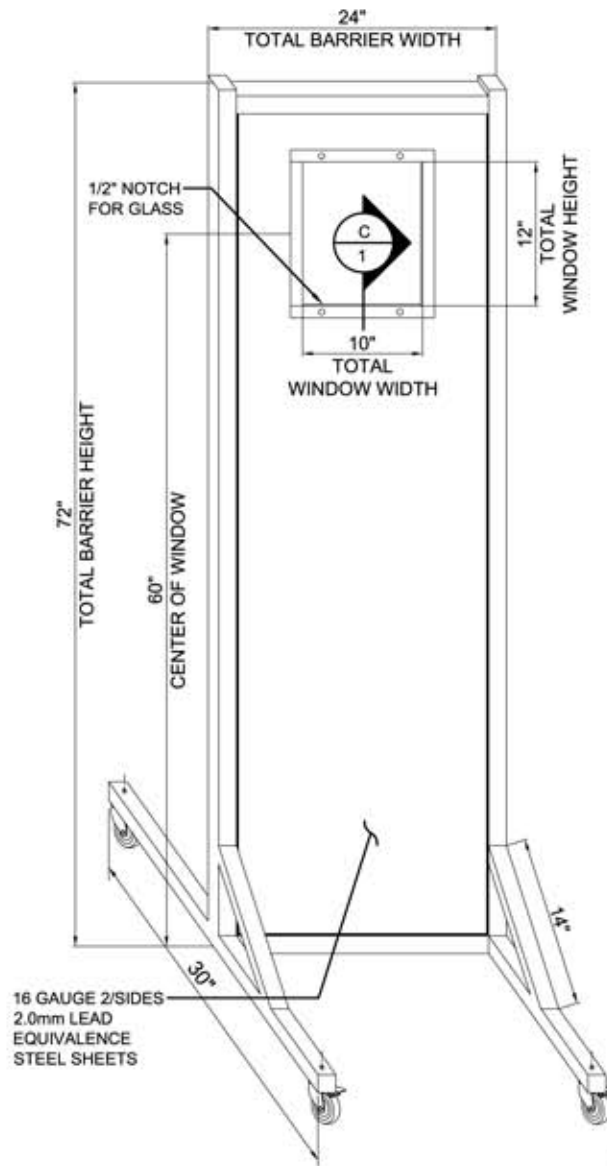
NOTES:

MATERIAL:  
STEEL WITH 2.0mm LEAD  
EQUIVALENCE

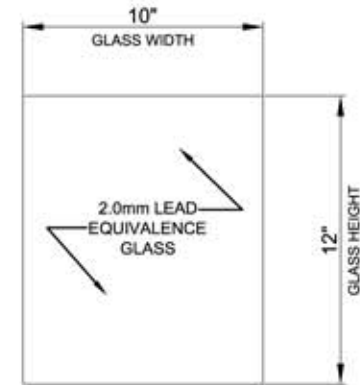
PAD PRINT COLOR:  
2.0mm LEAD  
EQUIVALENCE GLASS

FRAME COLOR:  
TAN

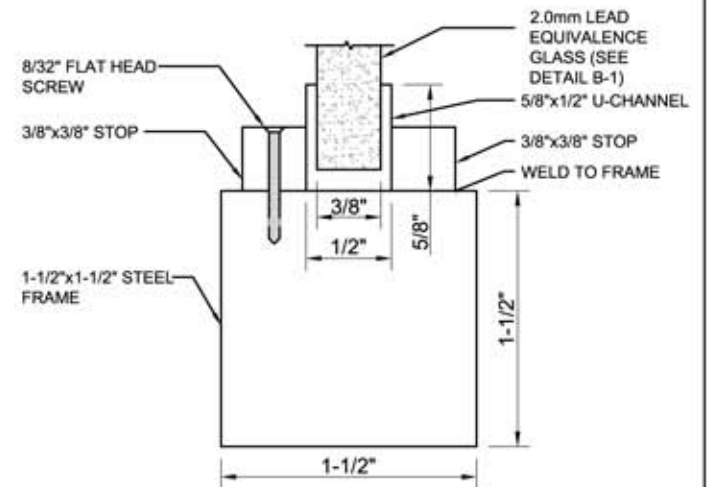
NOT TO SCALE




**(A)**  
1  
BARRIER ELEVATION



**(B)**  
1  
GLASS ELEVATION



**(C)**  
1  
SECTION AT FRAME

 <p>123 LINCOLN BOULEVARD MIDDLESEX, NJ 08846 732-356-1493</p>	DWG No.	LB-2472	Rev.
	P/N:	LB-2472	
	DESC.	Opaque Mobile Leaded Barrier 24 in. x 72 in	

ANY AND ALL INFORMATION CONTAINED  
IN/ON THIS DRAWING IS THE PROPERTY OF  
PHILLIPS SAFETY PRODUCTS INC. AND SHALL  
NOT BE USED OR DISCLOSED TO A THIRD  
PARTY WITHOUT PRIOR WRITTEN CONSENT  
OF PHILLIPS SAFETY PRODUCTS INC.